



eFLASHER VII

Light and convenient, the **eFLASHER VII** is ideal for every deaf computer and videoconference user. **eFLASHER VII** provides one (1) flash for each regular (TTY) telephone ring, double-flashes (2) for each Broadband ring, and computer flashes three times for a distinguished noticeable flashing signal lamp. Whether you are away from your T.V. or telephone and cannot hear the ringing sound, the **eFLASHER VII** is designed to quickly alert users to any incoming e-mails, TTY-PC, instant message (IM), IP-VRS, VRS, or videochat signal calls, plus regular calls for TTY. The **eFLASHER VII** works with D-Link (DVC-1000), Sorensen (VP-100), or any other similar products that have the cadence ringing output port jack available.

Prices:

- \$99.95 per unit (#EFL700)
- \$8.50 shipping/handling
- Includes an "easy-to-read" instruction manual
- Compact lightweight size: (5.75" W x 3.25" D x 2.0" H)
- Meets FCC & U.L.
- One year warranty
- Quantities over 10 units are available at discounted price
- See reverse page for **eFLASHER VII** simplify installation

Order:

- Charge cards (Discover/ MC/VISA), Qualifying Purchase Order, Check, Money Order to:

DEAFWORKS

P.O. Box 1265

Provo, UT 84603-1265

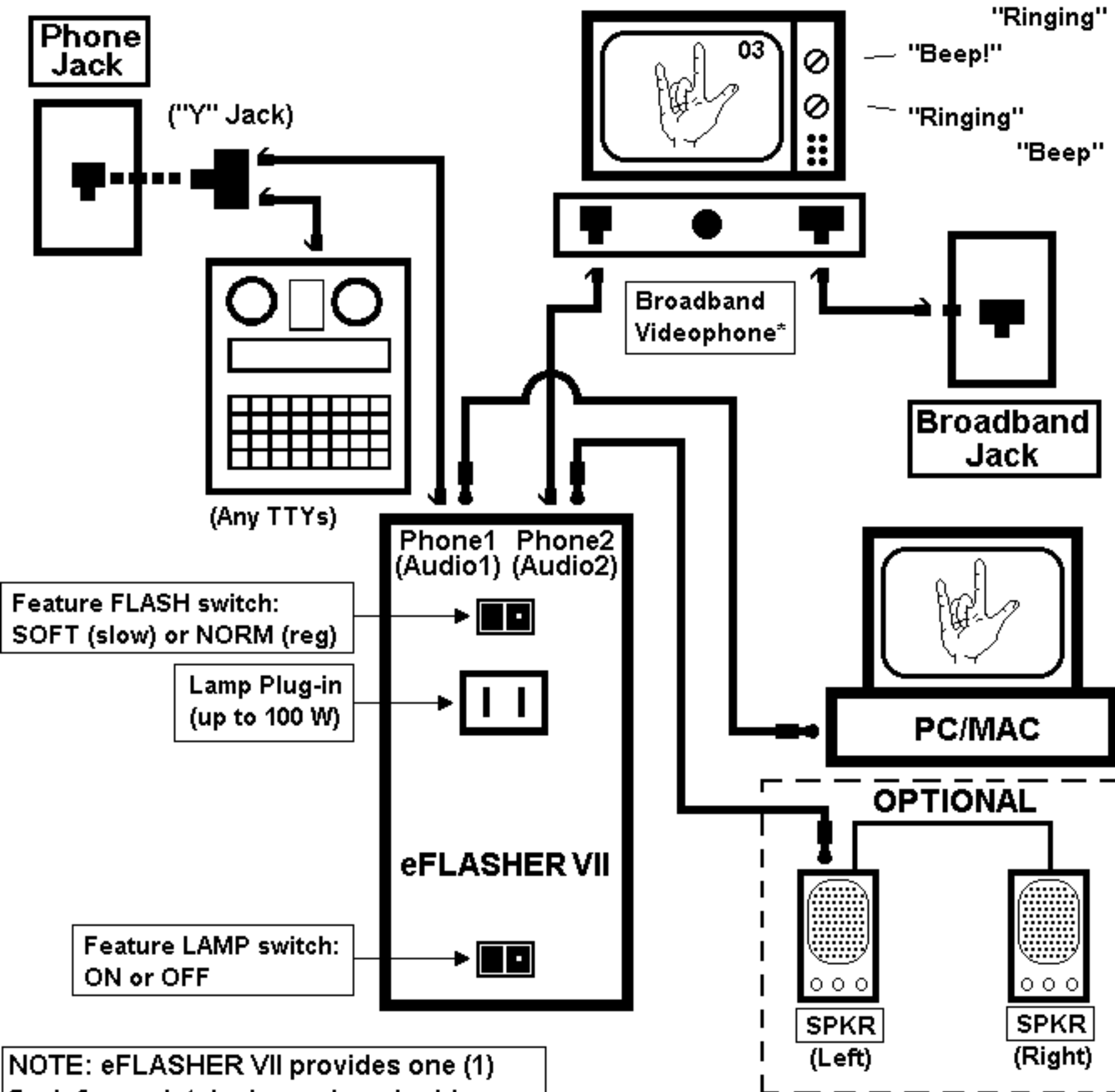
TTY: (801) 465-1957

FAX: (801) 465-1958

eflasher@deafworks.com

www.deafworks.com

Basic eFLASHER VII Installation



NOTE: eFLASHER VII provides one (1) flash for each telephone ring, double-flashes (2) for each Broadband ring, and three flashes (3) for each computer call. For computer call, a sound .WAV file must be used to operate which it can be download from manufacturer's website:
<http://www.deafworks.com/eFLASHER/download.html>

* D-Link (DVC-1000), Sorenson (VP-100), or any other similar products that have the candence ringing output port jack available to eFLASHER's unit input jack.

The DEAFWORKS Co.
 P.O. Box 1265
 Provo, UT 84603-1265
 TTY: (801) 465-1957
 FAX: (801) 465-1958
eflasher@deafworks.com